

HOFMANN®



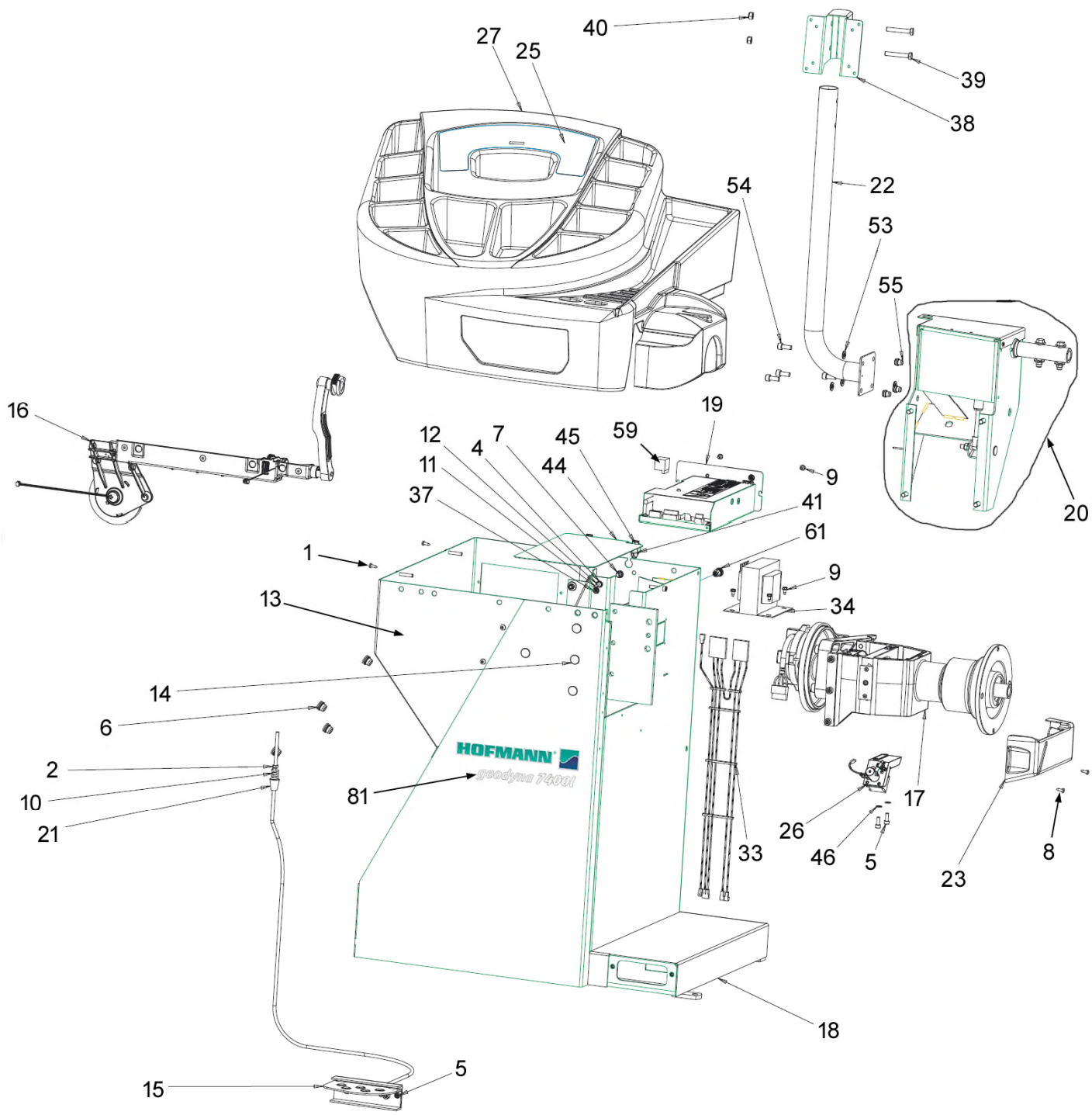
geodyna 7400L

Spare Parts List



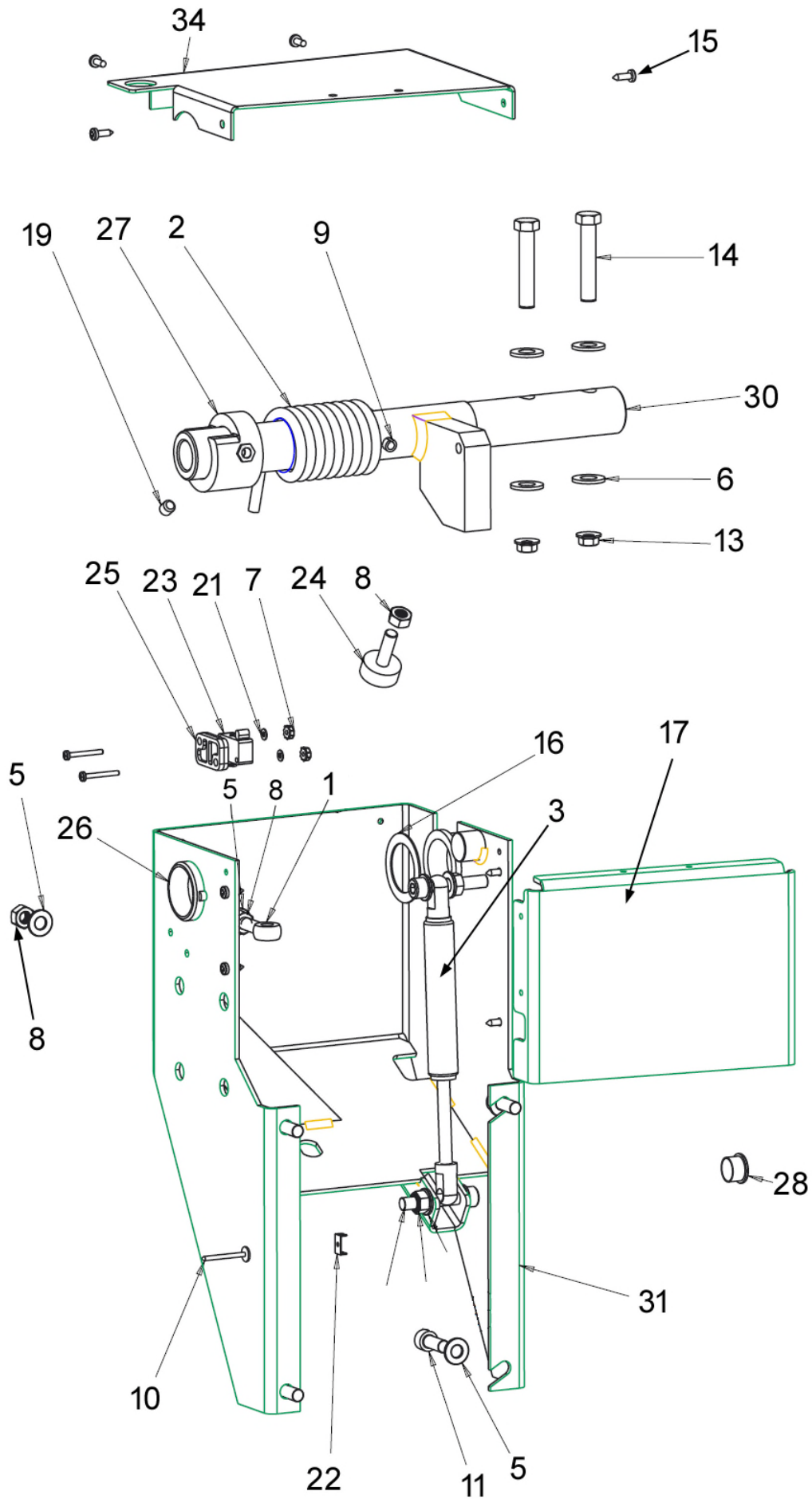
BOM EEWB764AL Geodyna 7400I

| Part Number | Description |
|-------------|-----------------------------|
| EAA0423J05A | Assy - Geodyna 7400L 115V |
| EAK0309J26A | Monitor Kit-Video Bal |
| EAA0369J66A | Hood Assy-With Sonar |
| EAW0290J26A | Power Cord 115v 5 Meters |
| ZEEWB764A9 | Op Manual Geo 7400 |
| EAC0060G02A | Flange Wshr Cone Storage |
| EAM0006G01A | Pin Cone Storage |
| 00058839000 | Tool-Pdq Weight Pass Car |
| EAA0263G79A | Quick Nut Kit |
| EAM0005D40A | Calibration Weight |
| EAK0309J28A | Kit - 4 Cone |
| TEEWB765A0 | Install Sheet |
| EAC0058D68A | Spacer, 29660 |
| EAL0442G41A | Decal-Geo 7400L |
| EAL0341J63A | Label-Patent |
| EAL0341J56A | Label-Laser |
| EAL0341J57A | Label-Caution |
| EAL0420J33A | Label-Caution Max Wheel Dia |
| EAL0341J70A | Label-Laser Aperture |
| EAL0341J71A | Label-Cfr Certification |
| EAL0341J96A | Label-Balancer Warning Rear |
| EAL0341J97A | Label-Balancer Warning Side |
| EAL0343J76B | Serial Label Document |
| 5403 | Form-lwr |

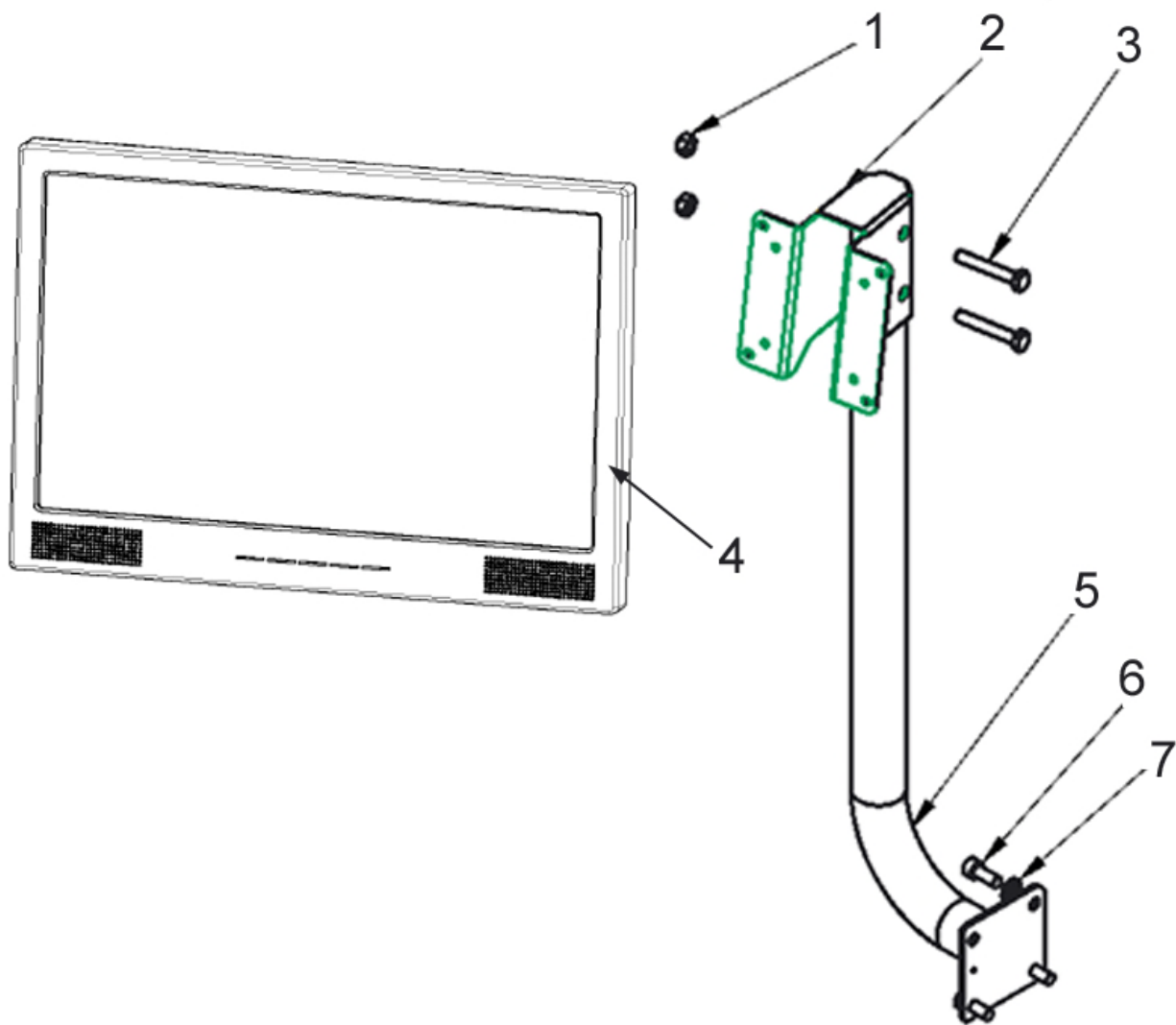


| Ref | Qty | Part Number | Description |
|-----|-----|--------------|--------------------------------|
| 1 | 4 | 1-03725A | Screw-Ph Self Tap M6.3X32 Phil |
| 2 | 1 | 1-11633A | Nut-M6 X 5.2 Blk |
| 4 | 1 | 1-1548 | Washer-6mm |
| 5 | 1 | 1-16309 | Screw - Shcs M6 X 16mm |
| 6 | 1 | 1-17659A | Nutsert-M10 |
| 7 | 2 | 1-18359A | Nutsert-M8 X 1.25 |
| 8 | 1 | 1-22623A | Screw-Ph Pn H Tap 3.9X13 A2J C |
| 9 | 1 | 1-3724 | Screw-M5 X 10 |
| 10 | 1 | 1-6668 | Spring Compression |
| 11 | 1 | 1-7558 | ++Rivet |
| 12 | 1 | 2-23201 | Terminal-Lug Pop Rivet |
| 13 | 1 | EAS2178J07A | Side Cover |
| 14 | 1 | 8-7216 | Plug-Hole 16mm |
| 15 | 1 | EAA0263G07A | Brake Pedal Assy |
| 16 | 2 | EAA0471G18A | M2 Sape 1D-2D Assy |
| 17 | 1 | EAA0364G85A | Vibratory |
| 18 | 2 | EAS2178J11A | Balance Cabinet Medium Blue |
| 19 | 3 | EAA0481G50AC | Electronic Box Programmed |
| 20 | 1 | EAA0369J65A | Wheelguard Support Assy 42 In |
| 21 | 1 | EAC0053J15A | Brake Spacer |
| 22 | 1 | EAS2128J52A | Pipe Assy Monitor Support |
| 23 | 1 | EAC0103G31A | Cover Vibratory System |
| 25 | 1 | EAL0442G31A | Keyboard Flat |
| 26 | 2 | EAA0394G93A | Weight Laser Kit Assy |
| 27 | 1 | EAM0102G63A | Weight Tray Geodyna 7400L |
| 29 | 1 | EAW0239D07A | Cable-Grounding 600mm |
| 33 | 1 | EAW0233J07A | Harness-Wiring, Transformer |
| 34 | 1 | 7-16201A | Transformer-500 VA |
| 37 | 1 | 8-23762A | Label-Earth Symbol |
| 38 | 1 | EAS2128J53A | Mount Monitor Vesa |
| 39 | 1 | 1-39901A | Screw-M8 X 50 Hex Hd Blk |

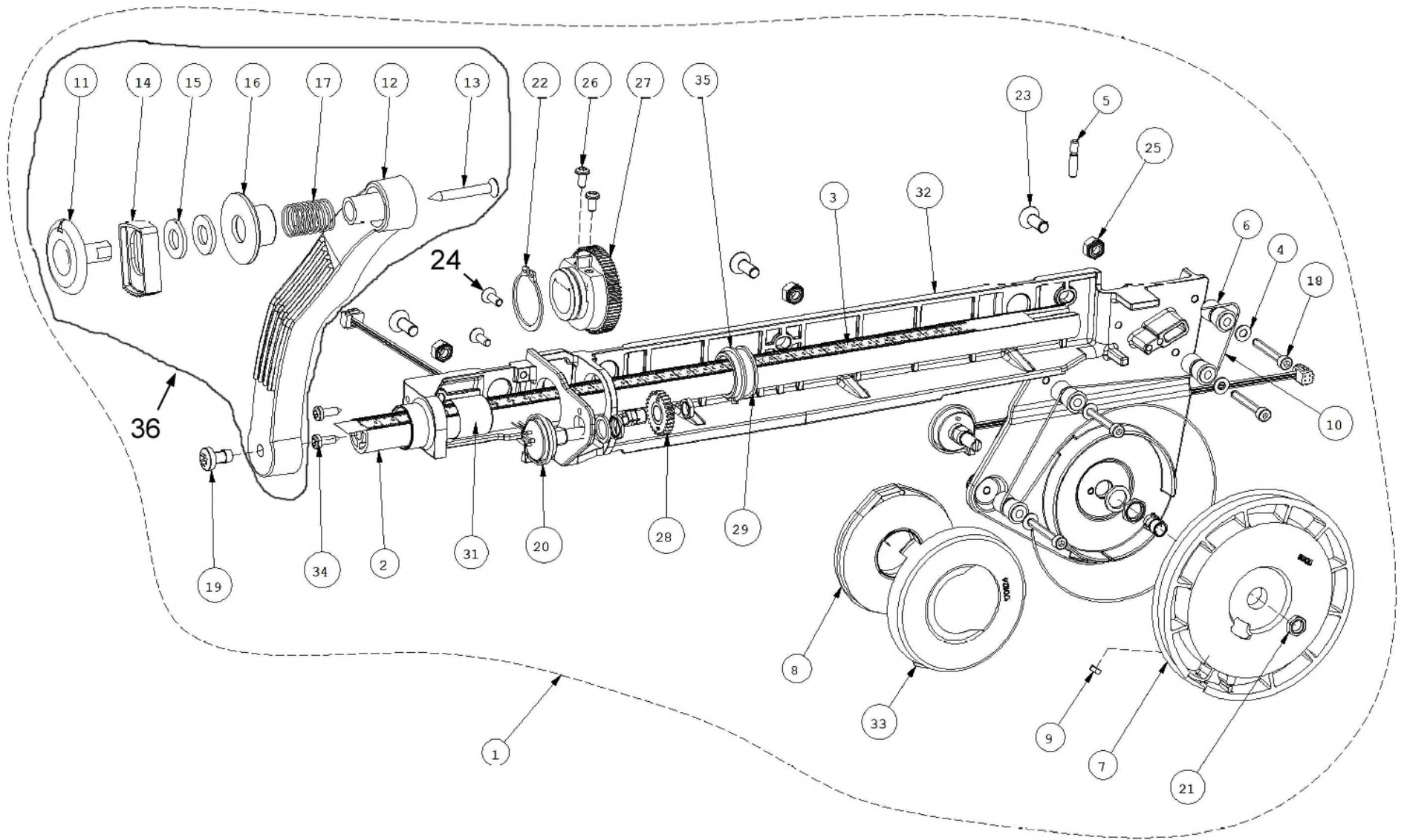
| Ref | Qty | Part Number | Description |
|-----|-----|-------------|--------------------------------|
| 40 | 1 | 1-10033 | Nut-Esna M8 |
| 41 | 1 | 1-07439A | Nut-Tinnerman 1/4-20 |
| 42 | 2 | EAA0440G00A | Sonar Assy. |
| 43 | 2 | EAW0283G76A | Cable Sonar Sensor Ext |
| 44 | 1 | EAS2128J67A | Shield-Fire |
| 45 | 1 | 1-2509 | Screw-Bhcs 1/4-20 X 5/8 |
| 46 | 1 | 1-02443A | M6 Split L/W Zinc |
| 53 | 2 | 1-10041 | Washer, Plain M8 |
| 54 | 2 | 1-17709 | Bolt-M8 X 1.29 X 20mm |
| 55 | 2 | 1-18359A | Nutsert-M8 X 1.25 |
| 58 | 2 | 1-06376A | Plug Hole 1 Inch |
| 59 | 2 | 2-17947A | Socket-Multipole Wago 733-110 |
| 60 | 1 | EAS2116G12A | Spacer-Vib .2 mm |
| 61 | 2 | 1-18359A | Nutsert-M8 X 1.25 |
| 62 | 1 | 5-06345A | Cable Tie-130mm X 4.8mm Wide |
| 63 | 1 | 5-09145A | Push Rivet , Natural Nylon |
| 64 | 1 | 5-09245A | Cable Tie Holder Fth-34, Screw |
| 65 | 1 | 5-09345A | Flat Cable Clamp, Screw Mount |
| 66 | 1 | 5-845 | Tie Wrap |
| 67 | 1 | 5-09845A | Locking Wire Saddle, Snap Rive |
| 68 | 1 | 2-15457A | Clip Flat Cable Adhesive |
| 71 | 1 | EAC0060G00A | Vibratory Sys Holder Cup-25135 |
| 80 | 1 | 1-10576A | Plug Hole 51 mm |
| 81 | 1 | EAL0442G41A | Decal 7400I |



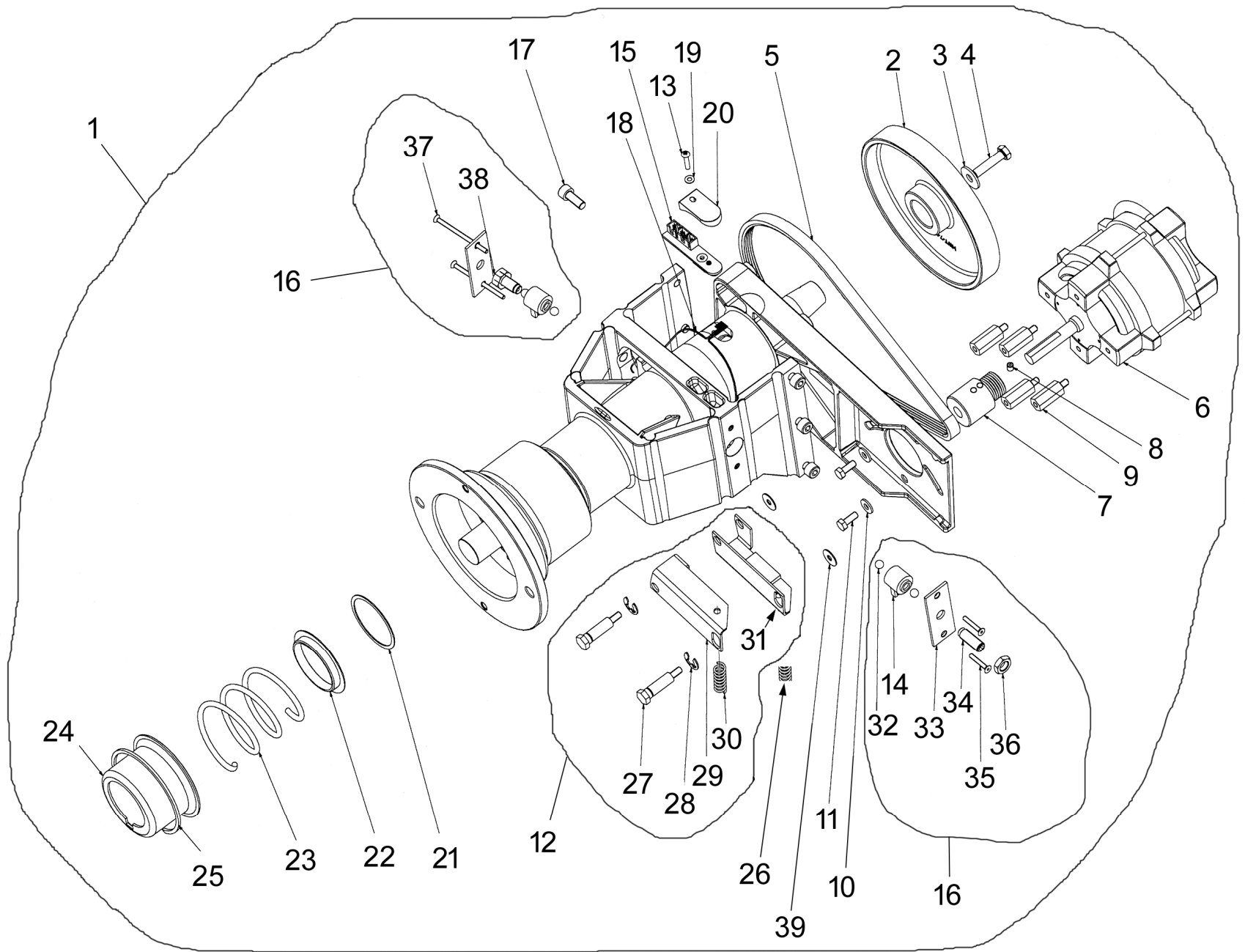
| Ref | Qty | Part Number | Description |
|-----|-----|--------------|------------------------------|
| 1 | 1 | 1-01530 | Eyebolt-M8 X 50 |
| 2 | 1 | 1-04267A | Spring-Torsion |
| 3 | 1 | 1-06769A | Gas Spring |
| 4 | 1 | 1-10033 | Nut, Hex, M8 |
| 5 | 10 | 1-10041 | Washer D.8 |
| 6 | 4 | 1-10141 | Washer, Plain Din 125A |
| 7 | 2 | 1-15033 | Nut-Keps, M3 - .5 |
| 8 | 4 | 1-15933A | Nut - Hex, M8 |
| 9 | 1 | 1-12452 | Pins - Straight Slotted 8X45 |
| 10 | 1 | 1-7558 | Pop Rivet-3/16" |
| 11 | 4 | 1-17709 | Screw - Shcs M8 X 20mm |
| 12 | 2 | 1-18209 | Shcs-M8 X 45 |
| 13 | 2 | 1-8133 | Nut & Washer Assy 3/8 - 16 |
| 14 | 2 | 1-1101 | Screw - Hhms 3/8 - 16 X 2.00 |
| 15 | 8 | 1-22623A | Self-Tapping Screw Tcb |
| 16 | 1 | 1-22441A | Shim Ring 32X45X1 |
| 17 | 1 | EAS2177G41AC | Front Backpack |
| 19 | 1 | 1-47810 | Screw, Set, M8 - 1.25 X 8mm |
| 20 | 2 | 1-02307A | Screw - Phm, M3 X 25mm |
| 21 | 2 | 1-9541 | Washer-Flat,M3 Din 125A |
| 22 | 1 | 2-23201 | Terminal Lug-6.3mm X .8mm |
| 23 | 1 | EAW0233J08B | Cable-Switch Assy |
| 24 | 1 | 8-15218A | Bumper 40X25 / M8 |
| 25 | 1 | EAC0053J16A | Microswitch Plate |
| 26 | 2 | EAC0058D36A | Wheelguard Bushing D.32 |
| 27 | 1 | EAC0058D38A | Schaltring Switch Segment |
| 28 | 1 | 8-7216 | Plug-Hole, 16mm Dia |
| 30 | 1 | EAM0084J39A | Shaft & Stop Block |
| 31 | 1 | EAS2128J49A | Assy Back Pack |
| 34 | 1 | EAS2128J54A | Wheelguard Support |



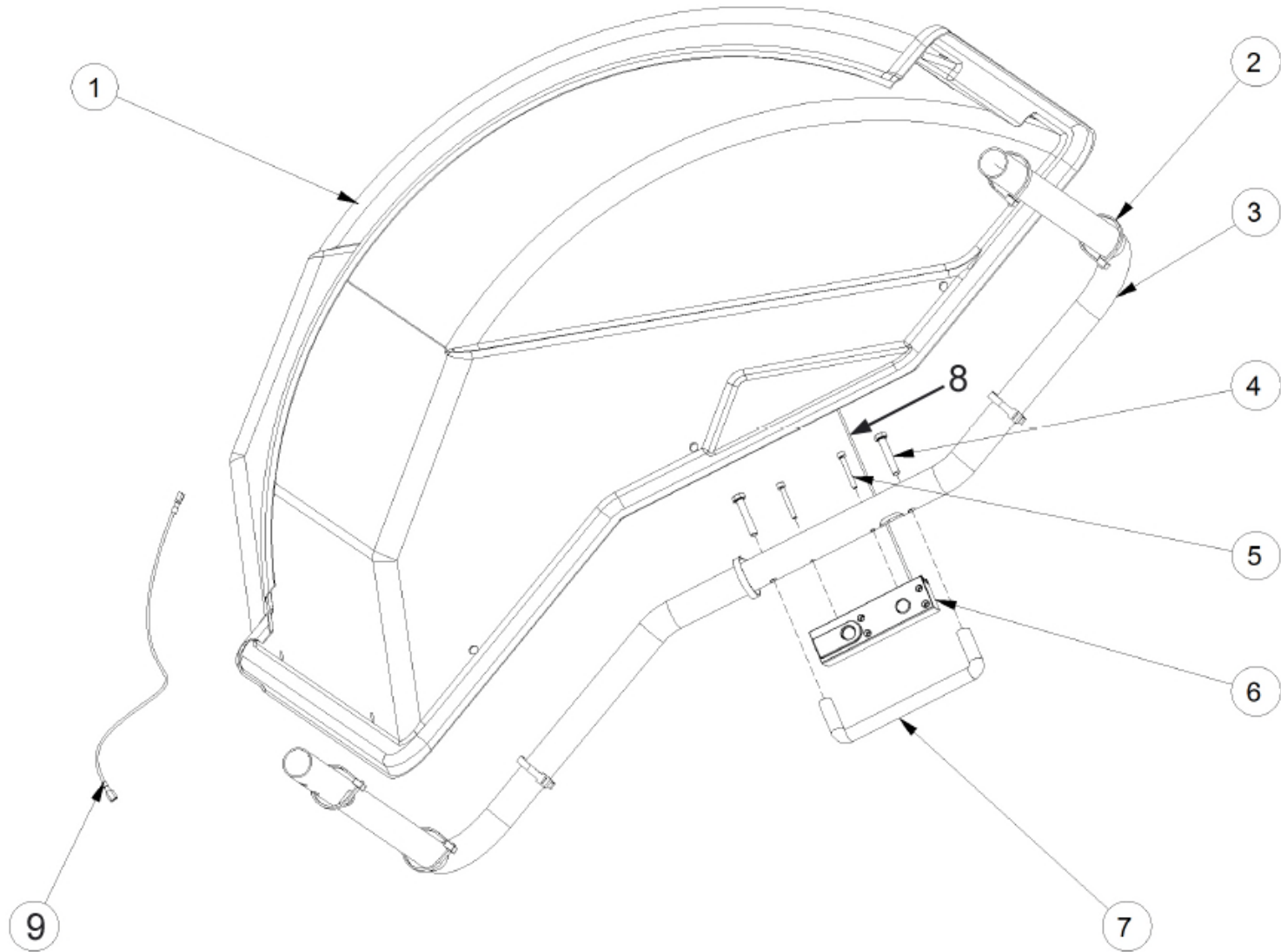
| Ref | Qty | Part Number | Description |
|-----|-----|-------------|---------------------------|
| 1 | 2 | 1-10033 | Nut-Esna M8 |
| 2 | 1 | EAS2128J53A | Mount Monitor Vesa |
| 3 | 2 | 1-39901A | Screw-M8 X 50 Hex Hd Blk |
| 4 | 1 | 3-03808B | Monitor |
| 5 | 1 | EAS2128J52A | Pipe Assy Monitor Support |
| 6 | 4 | 1-17709 | Bolt-M8 X 1.29 X 20mm |
| 7 | 4 | 1-10041 | Washer, Plain M8 |



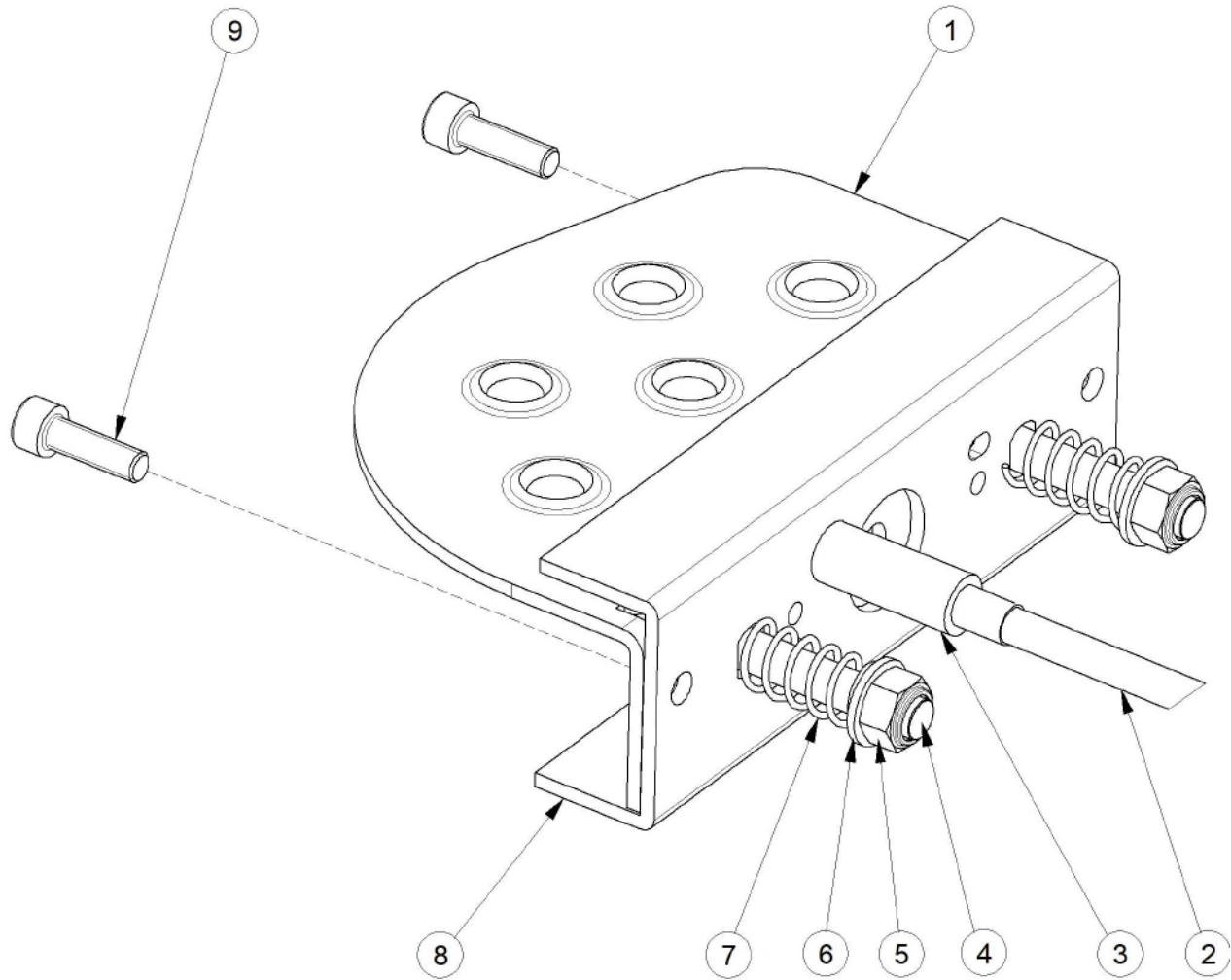
| Ref | Qty | Part Number | Description | Ref | Qty | Part Number | Description |
|-----|-----|-------------|----------------------------|-----|-----|-------------|-----------------------------|
| 1 | 1 | EAA0471G18A | M2 Sape 1D-2D Assy | 19 | 1 | 1-3824 | Screw |
| 2 | 1 | EAM0053G19A | Standard. Rod Sape, M2 | 20 | 2 | EAA0266D20A | Potentiometer Unit With Nut |
| 3 | 1 | EAM0140G91A | Distance Scale Decal (mm) | 21 | 2 | 2-07657A | Clamping Device |
| 4 | 4 | 1-9641 | Washer | 22 | 1 | 1-13377A | Circlip For Shaft |
| 5 | 1 | EAM0181G08A | Machined Screw M4 | 23 | 3 | 1-22003A | Screw 6X16 10K |
| 6 | 4 | EAM0005D35A | Guiding Reel | 24 | 2 | 1-17726A | Screw Tps |
| 7 | 1 | EAC0058D06A | Return Pulley | 25 | 3 | 1-9933 | Nut |
| 8 | 1 | 1-08167A | Stand. Sape Tension Spring | 26 | 2 | 1-11726A | Screw For Plast. |
| 9 | 1 | 1-11233 | Nut - M3 White Zincked | 27 | 1 | EAC0058D12A | Cog Wheel 56 Teeth |
| 10 | 0,9 | 6-00604A | Rope Spectra 1000 D 0,6 | 28 | 1 | EAC0058D13A | Wheel Gear |
| 11 | 1 | EAC0058D11A | Feeler Disk | 29 | 1 | EAM0181G36A | S2-D2 Bushing |
| 12 | 1 | EAC0054P01A | Arm, Axcel Caliper | 31 | 1 | 1-13865A | Bushing |
| 13 | 1 | 1-3624 | Screw Polyplast | 32 | 1 | EAM0125G67A | Machined Sape Support |
| 14 | 1 | EAC0058D09A | Register, Ejection | 33 | 1 | EAC0058D58A | Safety Cover |
| 15 | 2 | 1-10141A1 | Washer P.D.10 | 34 | 2 | 1-22623A | Screw, Phil Pan H.Tapp. |
| 16 | 1 | EAC0058D10A | Ring, Push | 35 | 1 | 1-4577 | Ring Snap |
| 17 | 1 | 1-06868A | Spring, Compression | 36 | 1 | EAA0277D94A | Sape arm w/ejector |
| 18 | 4 | 1-13909 | Scr - Hex Skt Hd Cap | | | | |



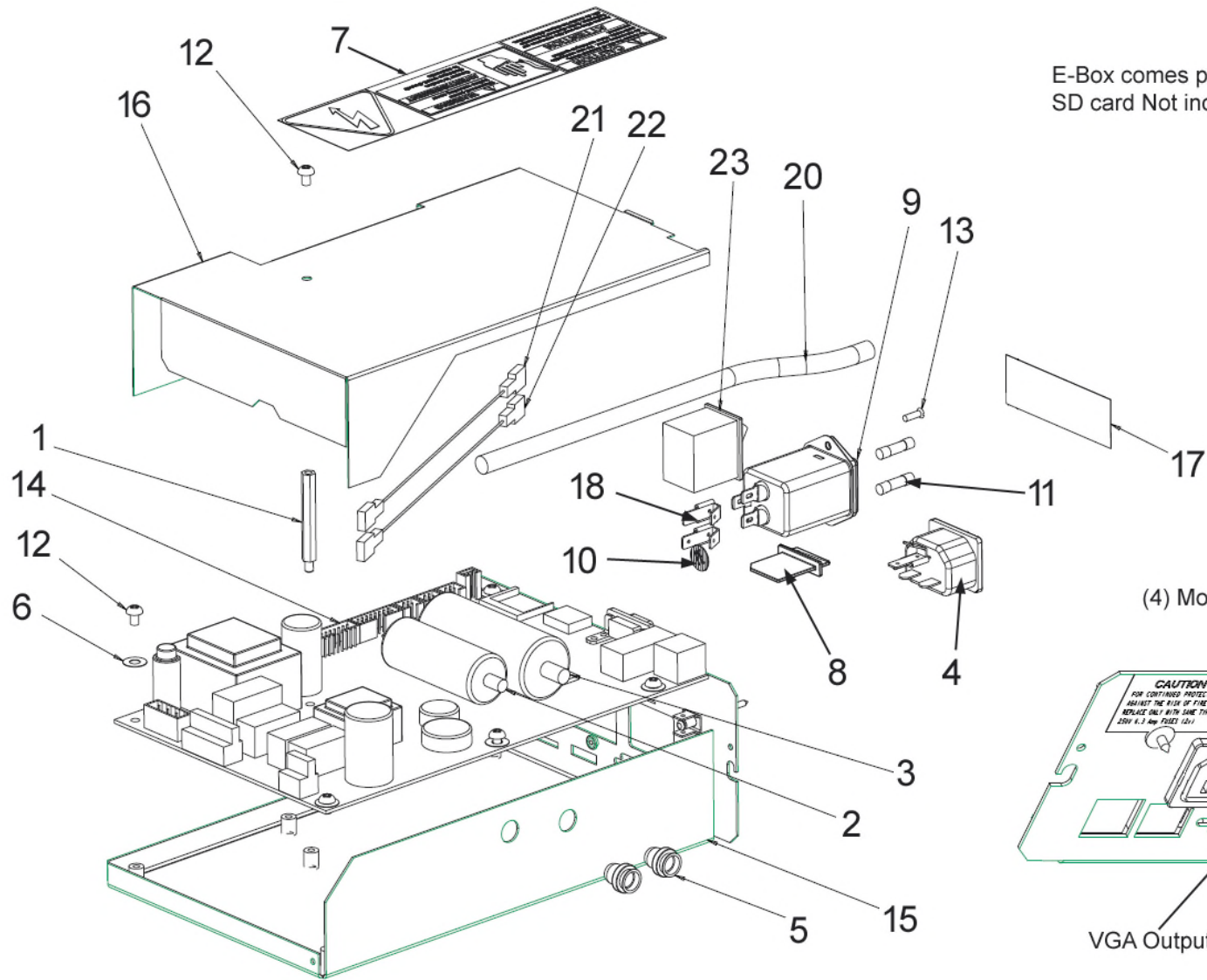
| Ref | Qty | Part No | Description | Ref | Qty | Part No | Description |
|-----|-----|-------------|------------------------------|-----|-----|-------------|---------------------------|
| 1 | 1 | EAA0364G85A | Vibratory | 21 | 1 | 1-17641 | Washer |
| 2 | 1 | EAM0005D12A | Drive wheel | 22 | 1 | EAC0058D14A | Spring Centering Ring |
| 3 | 1 | 1-17841 | Washer | 23 | 1 | 1-07768A | Compression Spring |
| 4 | 1 | 1-32901 | Screw, Hex Cap | 24 | 1 | EAS2025D14A | Spring Case Spring Case |
| 5 | 1 | 8-3531 | Belt 5 PJ 711 | 25 | 1 | 1-13077 | Circlip |
| 6 | 1 | 2-59366A | Motor | 26 | 2 | EAM0005D18A | Spacer |
| 7 | 1 | EAM0005D08A | Motor Pulley | 27 | 2 | EAM0005D10A | Bolt |
| 8 | 1 | 1-28410 | Screw | 28 | 2 | 1-13177 | Circlip |
| 9 | 4 | EAM0005D09A | Motor Distance Bolt | 29 | 1 | EAA0260D56A | Brake Lever A |
| 10 | 2 | 1-16641 | Washer | 30 | 1 | 1-6568 | Compression Spring |
| 11 | 2 | 1-46701A | Screw Hex Head | 31 | 1 | EAA0260D57A | Brake Lever B |
| 12 | 1 | EAA0332G12A | Main Shaft Lock Assembly | 32 | 4 | 8-1144 | Steel Ball D8 mm |
| 13 | 1 | 1-35006A | Screw | 33 | 2 | 1-2967 | Pretension Spring Drawing |
| 14 | 2 | EAA0260D59A | Transducer | 34 | 2 | EAM0005D07A | Setscrew Hex Socket |
| 15 | 1 | EAA0344G00A | Opto-Encoder Board With Lens | 35 | 2 | 1-17403 | Screw Hex Socket |
| 16 | 1 | EAA0328G16A | Transducer Fixing Unit | 36 | 1 | 1-04634A | Nut Hex Low |
| 17 | 6 | 1-17709 | Screw | 37 | 2 | 1-19903A | Screw Hex Socket |
| 18 | 1 | EAW0240G67A | Ribbon Cable W/ Temp Sensor | 38 | 1 | 1-11833 | Hexagon Nut |
| 19 | 1 | 1-9641 | Washer | 39 | 2 | 1-36541A | Shim Ring |
| 20 | 1 | EAC0094G11A | Encoder Board Protection | | | | |



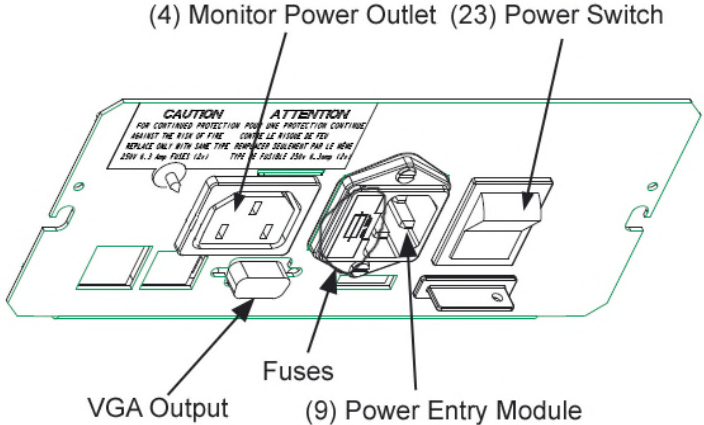
| Ref | Qty | Part Number | Description | Ref | Qty | Part Number | Description |
|-----|-----|-------------|-------------------------|-----|-----|-------------|------------------------------|
| 1 | 1 | EAC0100G21A | Hood 42" | 6 | 1 | EAA0373G96A | Sonar Box Assy |
| 2 | 7 | 5-03345A | Cable Tie, Plastic | 7 | 1 | 8-09233A | Plastic Handle |
| 3 | 1 | EAM0076G34A | Wheelguard Tube | 8 | 1 | EAW0283G77A | Sonar Sensor Cable |
| 4 | 2 | 1-18209 | Shcs-M8 X 45 | 9 | 1 | EAW0283G76A | Sonar Sensor Cable Extension |
| 5 | 2 | 1-15509 | Screw Hshc 5X40 8G Zinc | | | | |



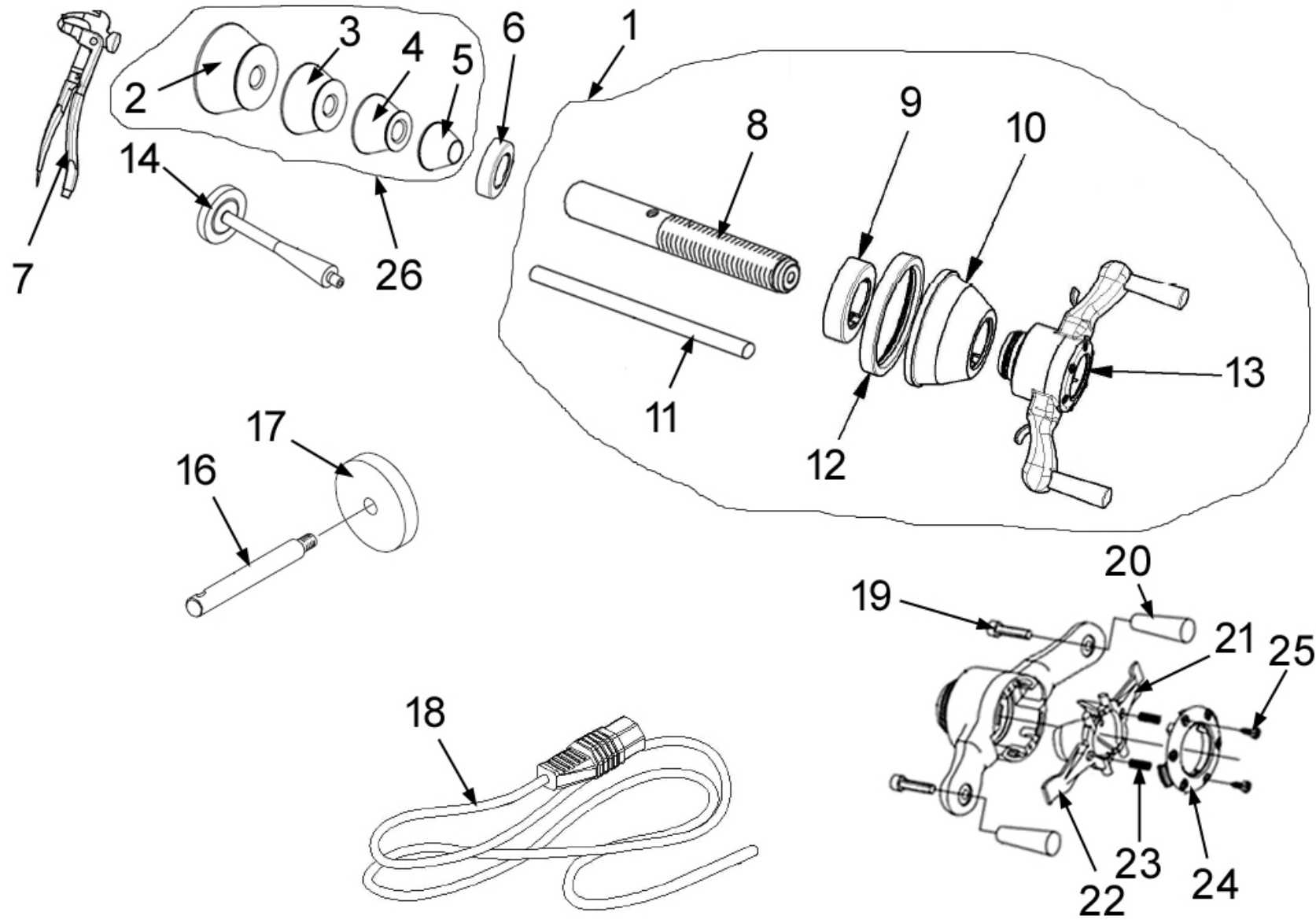
| Ref | Qty | Part Number | Description | Ref | Qty | Part Number | Description |
|-----|-----|-------------|-------------------|-----|-----|-------------|--------------------|
| 1 | 1 | EAS2020P20A | Pedal | 6 | 2 | 1-10041 | Washer D 8 |
| 2 | 1 | EAA0344G15A | Bowden Cable Assy | 7 | 2 | 1-06768A | Compression Spring |
| 3 | 1 | EAM0053G06A | Spacer | 8 | 1 | EAS2027G18A | Pedal Holder |
| 4 | 2 | 1-18209 | Screw | 9 | 2 | 1-16409 | Screw |
| 5 | 2 | 1-10033 | Hex Nut | | | | |



E-Box comes programmed with 3-86526AF1
SD card Not included



| Ref | Qty | Part Number | Description |
|-----|-----|--------------|--------------------------------|
| 1 | 1 | 1-16661A | Spacer M4X45 |
| 2 | 1 | 2-01429A | Capacitor - 10Uf, 400V |
| 3 | 1 | 2-01529A | Capacitor - 20Uf, 400V |
| 4 | 1 | 2-63348A | Connector AC Outlet |
| 5 | 2 | 1-18359A | Threaded Insert M8X1,25 |
| 6 | 6 | 1-5547 | Washer-Lock, Ext, M4 |
| 7 | 1 | EAL0341J98A | Label-Balancer Warnings, Ebox |
| 8 | 1 | EAC0087G52A | Memory Card Plug |
| 9 | 1 | 2-68948A | Power Entry Module |
| 10 | 1 | 8-23762A | Label - Earth Symbol |
| 11 | 2 | 2-21251A | Fuse-Time Delay, 250V, 6.3 Amp |
| 12 | 7 | 1-19804 | Screw, Phil Pan Head M4X6 |
| 13 | 2 | 1-11103 | M3 X 10Mm Flat Head Screw |
| 14 | 1 | EAP0276G80A2 | L.E. Video Integrated |
| 15 | 1 | EAA0369J63A | Frame Assy For L. E. Video Ibp |
| 16 | 1 | EAS2128J74A | Cover For L.E. Video |
| 17 | 1 | EAL0349G44A | Fuses Caution |
| 18 | 3 | 2-31001A | Terminal - Quick Connect |
| 19 | 1 | EAW0233J06A | Cable - Iec, Jumper |
| 20 | 1 | EAW0240G79A | Main Cord |
| 21 | 2 | EAW0243P22A | Link Wire Brown |
| 22 | 2 | EAW0243P23A | Link Wire Blue |
| 23 | 1 | 2-13258A | Main Switch |



| Ref | Qty | Part Number | Description |
|-----|-----|-------------|--------------------------|
| 1 | 1 | EAA0263G79A | Quick Nut Kit |
| 2 | 1 | EAM0003J69A | Truck Cone 3.42" - 5.25" |
| 3 | 1 | EAM0005D25A | Cone 3.78" - 4.57" |
| 4 | 1 | EAM0005D24A | Cone 2.83" - 3.90" |
| 5 | 1 | EAM0005D23A | Cone 1.65" - 3.03" |
| 6 | 1 | EAC0058D68A | Spacer ring |
| 7 | 1 | 00058839000 | Weight Pliers |
| 8 | 1 | EAM0021D90A | Stub Shaft 40 mm |
| 9 | 1 | EAC0058D08A | Pressure ring |
| 10 | 1 | EAC0058D07A | Pressure cup |
| 11 | 1 | EAM0005D34A | Rod for Fastening shaft |
| 12 | 1 | EAC0058D15A | Pressure cup cushion |
| 13 | 1 | EAA0263G66A | Quick Nut |
| 14 | 1 | EAM0005D40A | Calibration Weight |
| 16 | 4 | EAM0006G01A | Hook storage |
| 17 | 4 | EAC0060G02A | Rubber pad |
| 18 | 1 | EAW0290J26A | Power Cord 5 meters |
| 19 | 2 | 1-54709A | Screw |
| 20 | 2 | ST0027008 | Handle |
| 21 | 1 | 6409019 | Clamping jaw Pin side |
| 22 | 1 | 6409020 | Clamping jaw V side |
| 23 | 2 | 1611128 | Spring |
| 24 | 1 | EAC0060G23A | Cover |
| 25 | 2 | 1-18623A1 | Screw |
| 26 | 1 | EAK0309J28A | 4 cone kit |



Notice: The information contained in this document is subject to change without notice. Hofmann makes no warranty with regard to this material. Hofmann shall not be liable for errors contained herein or for incidental consequential damages in connection with furnishings, performance, or use of this material.

309 Exchange Ave
Conway, AR 72032
501-450-1500

Geodyna 7400I Spare Parts List

TEEWB764AL3_TS

DSS

11/2022